

TAKSTAR® 得胜

MS-580W1/MS-580W

无线会议麦克风

Wireless Conference Microphone



MS-580W1/MS-580W Wireless Conference Microphone

■ Preface

Dear Customer,

Thank you for purchasing Takstar MS-580W/MS-580 W1 Wireless Conference Microphone. In order to better understand and use the product, please read this manual thoroughly.

If you have any questions or suggestions, please contact our local dealer.

■ Features

- Built-in sound card, driver-free, plug-and-play, compatible with macOS and Windows 7 and above.
- Dual-section gooseneck, 360° pickup angle.
- Uni-directional capsule with long pickup distance.
- Built-in background noise cancellation function for clear pickup.
- On-board volume knob to adjust volume level on the fly.
- One-key mute switch to easily enable/disable mic at any time.
- Wireless gooseneck mic with USB receiver for online classes, screen recording, live broadcast, and game talks.
- Smooth teleconferencing via mainstream instant messengers such as WeChat, QQ, YY, and QQ Talk.
- Anti-slip bottom pad also reduces the impact of desktop vibration.

Note: MS-580W1 is same as MS-580W except that it is single channel (channel A only, 550-567MHz) and includes only 1 mic.

■ Package Contents

- 2 * Conference Microphone (only 1 for MS-580W1)
- 1 * USB Receiver
- 1 * Type-C Y-Splitter Charging Cable (1m) (non-split for MS-580W1)
- 2 * Windscreen (only 1 for MS-580W1)
- 1 * User Manual

MS-580W1/MS-580W Wireless Conference Microphone

■ Applications

Conferences, video calls, game talks, screen recording, live broadcast.

■ Specifications

System Parameters:

- Mic Polar Pattern: unidirectional
- Mic Sensitivity: $-42 \pm 2\text{dB RL}=0.68\text{K}\Omega$ Vs=1.5V (1KHz 0dB=1V/Pa)
- Mic Frequency Response: 20Hz -16kHz
- Headphone Output Power: MIC input 30MV;
headphone output $\geq 480\text{mW}$ (at 32Ω load)
- Headphone Output THD: $\leq 0.5\%$ (at 1KHz/0dBFS)
- Headphone Output Noise Floor: $\leq -85\text{dBV}$ (A-wt.)
- Working Current: 600mA DC: 5V
- Weight: 225g

Receiver:

- Working Voltage: USB 5V
- Maximum Current: $\leq 140\text{mA}$ (5V)
- Modulation Method: FM modulation
- CHA Frequency Range: A channel: 550-567MHz (UHF);
B channel: 570-590MHz (UHF)
- Transmission Distance: $>30\text{m}$ (line of sight)
- Receiving Sensitivity: $90\text{dbm} \pm 2\text{dB}$
- USB Protocol: USB full speed 2.0 USB Audio
- Working Frequency: 15 frequency points
- USB Audio Output: 60Hz-16kHz
- Weight: 11.5g
- Dimensions ($\pm 2\text{mm}$): 77*24*9mm

MS-580W1/MS-580W Wireless Conference Microphone

■ Specifications

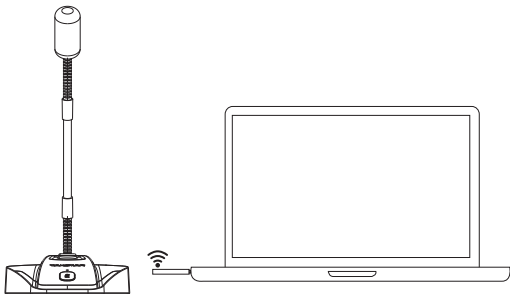
Transmitter:

- Working Current: DC 3V-4.2
- Maximum Current: $\leq 90\text{mA}$ (3.7V)
- Battery Type: Li-polymer 1200mA (803440)
- Battery Life: about 10 hours
- Charging Current: 600mA
- Charging Interface: Type-C 5V charging (fast charging not supported)
- Modulation Method: FM modulation
- CHA Frequency Range: A channel: 550-567MHz (UHF);
B channel: 570-590MHz (UHF)
- Transmission Distance: >30m (line of sight)
- Chip Transmit Power: $16\text{db} \pm 2\text{dB}$
- Mic Sensitivity: $-42 \pm 2\text{dB}$ RL=0.68K Ω Vs=1.5V(1KHz 0dB=1V/Pa)
- Working Frequency: 15 frequency points
- Mic Volume Control: potentiometer
- Headphone Output Power: MIC input 30MV;
headphone output $\geq 480\text{mW}$ (at 32 Ω load)
- Headphone Output Frequency Response: 150Hz-18kHz
- Weight: about 225g
- Dimensions ($\pm 2\text{mm}$): 117.91*107.02*35.13mm

Note: The above data are measured by Takstar laboratory.

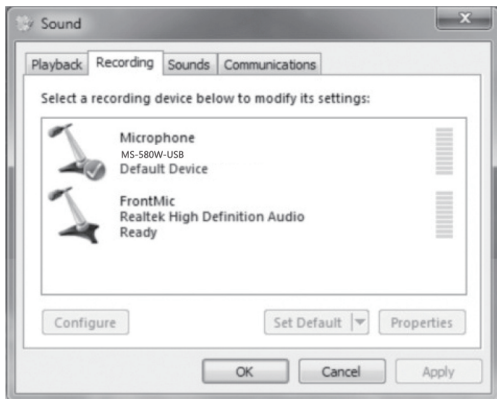
■ Operation instructions

- ① Connect the mic to a computer via the wireless USB receiver, and the computer will automatically identify the mic and install the driver.



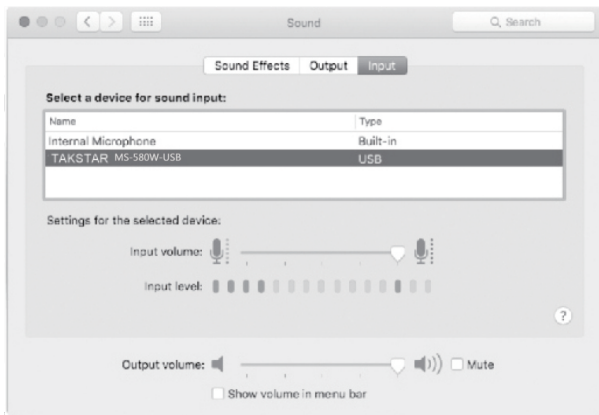
- ② Driver settings:

Windows: under sound settings, set “TAKSTAR MS-580W-USB” as the default device in “Recording” tab.



MS-580W1/MS-580W Wireless Conference Microphone

Mac OS: enter Sound settings under System Preferences, and select “TAKSTAR 580W-USB” as the input device.



③ Connect a headphone or an active speaker to the 3.5mm interface on the back of the mic.

④ Open your video conference software, instant messenger or recording software, and start video conferences, voice chat or network broadcast right away.

(In Windows system, if the recording is too loud, you can lower the system volume of the recording device or adjust the volume knob on the mic to lower the volume.)

■ Safety Instructions

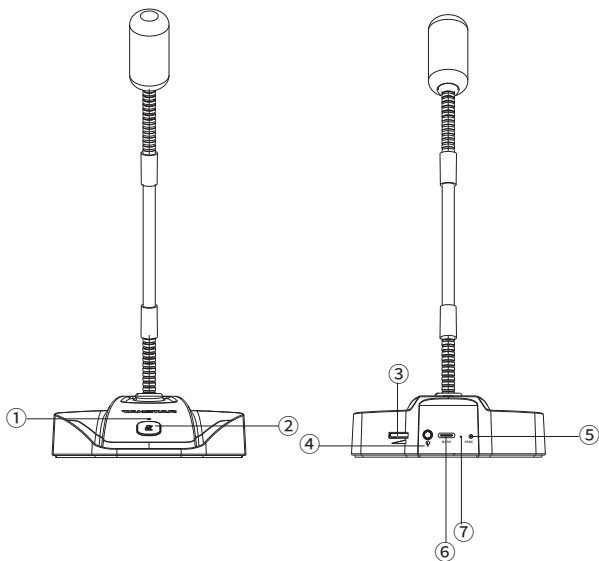
To avoid electric shock, overheating, fire, radiation, explosion, mechanical risk and injury or property loss due to improper use, please read and observe the following items before use:

1. Please check if the power of the connected equipment matches with that of this product before operation. Adjust the volume to proper level during operation. Do not operate at over-power or high-volume level for extended time to avoid product malfunction.
 2. If there is any abnormality during use (e.g., smoke, strange odor), please kill the power switch and unplug from power source, then send the product to the after-sales service outlet for repair.
 3. Keep this product and its accessories in a dry and ventilated area. Do not store in a humid or dusty area for extended time. Keep away from fire, rain, liquid intrusion, bumping, throwing, vibrating, or from blocking any ventilation openings, to prevent malfunction.
 4. The product must, when installed on walls or ceilings, be fixed firmly in place at adequate strength to prevent from falling.
 5. Abide by relative safety rules during operation. Do not use it if prohibited by laws and regulations to avoid accident.
 6. Do not disassemble or repair the product by yourself to avoid injury.
- If you have any questions or require any services, please contact our local after-sales service outlet.


■ Function Descriptions

1. Mute indicator (red and green two-color light): solid green light = unmuted; green flash (regardless of mute status) = low battery; solid red light = muted; red flash = sync mode (after sync, changes into mute mode, solid red light).
2. Mute switch: short press to mute/unmute the mic cyclically. Indicator lights up green when unmuted and turns red when muted. Long press for 2s to power on/off, indicator turns on or goes off respectively. The mic defaults to muted after power-on.
3. Volume knob: when unmuted, turn counterclockwise to increase mic volume, or clockwise to decrease.
4. 3.5mm interface: connect to headphones or an active speaker.
5. Sync channel switch key: short press to switch channels; long press for 5s to enter pairing mode.
6. Charging interface: supply power to the mic via a Type-C cable.
7. Charging indicator: turns solid red while charging and goes off when fully charged.

MS-580W1/MS-580W Wireless Conference Microphone



■ Label Meanings

 This device is compliant with the limits of the European Council Directive on the approximation of the laws of the member states relating to electromagnetic compatibility according to RL2004/108/EG and European Low Voltage Directive RL2006/95/EG.

■ About the meaning of icon

This manual contains up-to-date technical specifications as of printing. However, specifications contained herein may not conform to your particular product since Takstar is constantly improving its products. Also, specifications, devices or accessories available may vary from region to region. If you have any questions, please contact our local sales outlet. For the latest version/more information, please visit our website: <https://www.takstar.com/>

注意事项:

1. 本单为保修凭证, 请用户妥善保管, 如有遗失, 恕不保修或退换。
2. 保修期限制: 购买之日起十二个月内。
3. 除了不可抗力事件损坏外, 由本公司负责, 免费维修。
4. 如属保管不善或使用不当造成的损坏, 维修点将酌情收费。
5. 擅自拆卸维修者, 不予保修。
6. 以上保修条款仅限于中国市场适用 (不含港澳台地区)。

产品服务保证书

姓名: _____ 电话: _____ 地址: _____

商品: _____ 型号: _____ 购买日期: _____ 年 ____ 月 ____ 日

维修记录栏 (由维修员填写)	维修员签名	日期

◆ 广东得胜电子有限公司 ◆ 电话: 400-6828-333 ◆ 地址: 广东省惠州市博罗县龙溪街道富康一路2号



扫一扫，了解更多产品
Scan for more
product information

广东省电声工程技术研究开发中心 广东得胜电子有限公司制造

地址：广东省惠州市博罗县龙溪街道富康一路2号

服务热线：400 6828 333 传真：0752 6383950

邮箱：xs@takstar.com

网址：www.takstar.com

Guangdong Takstar Electronic Co., Ltd.

Address: No. 2 Fu Kang YiRd., Longxi Boluo

Huizhou, Guangdong 516121 China

Tel: 86 752 6383644 Fax: 86 752 6383952

Email: sales@takstar.com

Website: www.takstar.com