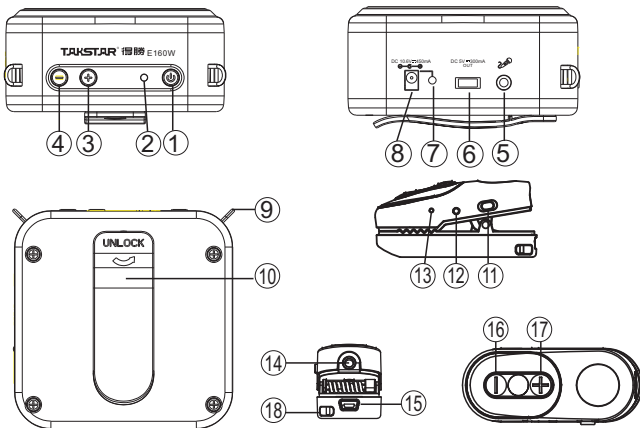


Welcome to use TAKSTAR portable digital amplifier, this product is for both wireless and wired using, it adopts 2.4G digital technology for stable and reliable performance, and features self-adaptive digital ID mode for automatical frequency matching. This product is ideal for teaching, tour guiding, etc. because of the advanced digital technology, environmental protection and clear sound quality. Please read this user manual detailedly before using to make sure the correct operation and exert the best function.

## Features

- 2.4G digital wireless technology for stable and reliable performance
- Adaptive digital ID mode for automatical frequency matching between transmitter and receiver, multiple classrooms can use the system at the same time without interference
- Transmitter and receiver adopt digital audio processing for clear sound quality and high sensitivity
- Built-in polymer Li-ion rechargeable battery for transmitter
- Supplied with high performance built-in wireless lavalier microphone and wired headworn microphone for convenient use
- Digital circuitry technology, 10W output power
- The amplifier can work as portable power source and charge for lavalier transmitter, mobile phone by USB cable

## Function Illustration



- 1 Power switch: Press it long for 1 to 2 seconds for power on/off
- 2 Power indicator: it will light green when the amplifier is power-on. If the battery voltage is low, it will turn red, and glitter red when the battery voltage is too low, please recharge in time
- 3 Volume control: Press it for increasing volume
- 4 Volume control: Press it for reducing volume
- 5 Microphone input socket: Insert the microphone 3.5mm plug into this socket. When speaking, do not point the microphone directly to amplifier, or it will cause howling
- 6 DC 5V output: Charging by USB cable for wireless transmitter, mobile phone, etc. (The amplifier should be powered on when charging)
- 7 Recharging indicator: Plug in the power adaptor into this socket ⑧, the indicator will light, indicating that the rechargeable battery is under charging. The indicator will change from red to green when the battery is fully charged
- 8 Recharging input socket: Input the DC 10.6V/450mA power adaptor plug to this socket for recharging
- 9 Hanging buckle
- 10 Back hook: When assembling, aim at it to the hooked part and press down, turn clockwise to tighten it and turn anticlockwise to take out it
- 11 Transmitter power switch: Turn to "ON" for power on, and turn to "OFF" for power off.
- 12 Power indicator and coding LED light: Turn on power switch ⑪, it will light on; when it is under matching, it will glitter red and green alternately; under matching, it will glitter red and green alternately; when it has been matched successfully, it will light green; when it is low voltage or being recharged, it is red; after fully recharging, it is green
- 13 Built-in high sensitivity microphone
- 14 External microphone input socket: Insert the 3.5mm plug of lavalier microphone or headworn microphone into this socket, the built-in microphone will mute and the external microphone will work
- 15 USB charger: Plug DC 5V MINI USB cable into this socket for charging  
When it is being recharged, indicator ⑫ will light red, after fully recharging, it is green. (Transmitter can be charged by amplifier DC 5V output socket, mobile phone charger, computer USB socket)  
Caution: When charging for amplifier, we suggest charging for transmitter together to

- make sure enough power when using under wireless status
- ⑫ Volume control: Press it for reducing volume, when reducing to minimum value, it will be muted and LED ⑫ will glitter for warning
- ⑬ Volume control: Press it for increasing volume, it provides 10 volume levels for adjustment
- ⑭ Hanging buckle

## Specification

- Carrier Frequency: 2.4G
- Transmit Power: ≤10mW
- Frequency Response: 80Hz-12KHz
- Max. Output Power: 10W
- Operating Mode: Adaptive digital ID
- Operating Range: 15-20m
- Rated Output Power: 5W
- Output Impedance: 4Ω

## Receiver

- Receiver Battery Spec: 7.4V polymer Li-ion battery
- Receiver Recharging Time: 4-6hours
- Product Dimension: 90 × 90 × 43mm
- Power Adaptor: DC 10.6V 450mA
- Receiver Play Time: ≥8hours (voval)
- Net Weight: 275g
- USB output: DC 5V 300mA

## Transmitter

- Transmitter Battery Spec: 3.7V/350mAh polymer Li-ion battery
- Charging Input: DC 5V
- Transmitter Recharging Time: 4-5hours
- Product Dimension: 67 × 36 × 28mm
- Transmitter Play Time: 5-6 hours
- Net Weight: 35g

## Operation and Caution

- This product has built-in low voltage protection function to extend the battery life. If power indicator lights red or glitters red, it means low battery voltage, loud volume may cause power off for protection, please recharge in time
- Clip the transmitter on collar and adjust the suitable microphone pick-up angle to avoid howling and assure the pick-up effect
- Adjust the volume according to the actual space size
- Non-professional technician is not allowed to disassemble and modify or repair the device. Please contact your local agent if you need service or have any question
- Please fully charge the battery to assure its service life if the device will not be used for a long time or the battery voltage is low
- Do not expose the battery or battery pack to extremely hot environment such as sunlight or fire etc
- **Caution:** improper replacement of battery or battery pack is likely to cause an explosion, user can only use the same or equivalent type of battery to replace the original one and should pay attention to the battery polarity
- **Warning:** it's forbidden to connect the battery in reverse, to short circuit or hit the battery violently, to use the battery as a child's toy. Do not use other charging equipment to charge the battery of this device, do not use the device to charge other battery, improper use may cause a risk of explosion. Do not charge a non-rechargeable battery
- Put the device and its accessories in a dry and ventilated place, keep them from rain, water, avoid falling down heavily and don't cover the ventilation hole
- Put the used battery in a designated trash can or send it back to the manufacturer to protect the environment
- Keep the power adapter or charger handy, unplug it from the power socket if you are not going to use it for a long time



The device and its accessories can only be used safely in the areas below an altitude of 2000 meters



The device and its accessories can only be used safely in non-tropical regions

## Standard Configuration

Digital Amplifier	2.4G transmitter	Headworn Microphone	Power Adaptor (Free Part)
Back Hook	Transmitter Charging Cable	Strape	User manual

## Application

Teaching, training, tour guiding